

## X-TREME TRACK LOADER BUCKET

Designed for the most demanding track loaders on the market. 1" x 8" cutting edge, 1/2" AR400 heel plate and 1/2" wear bars, reinforced quick attach, 1/4" bucket wrap, rolled back for easy clean out. 65 hp and over.

Shown with Optional Teeth



## INDUSTRIAL TRACK LOADER BUCKET

The Industrial Track Loader Bucket is a comparable alternative to your track loader OEM bucket with some upgrades. 1" x 8" cutting edge gives more strength to your bucket while giving you 2" more cutting edge. A rolled back allows for exceptional cleanout. Reinforced quick attach and two piece back for extra strength. Low profile design for better visibility.

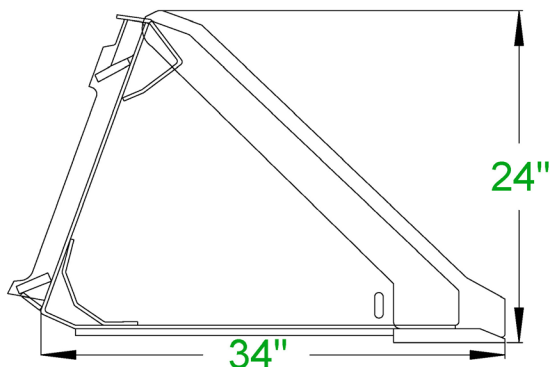


Photos Shown with Optional side cutting

- 1" x 8" cutting edge
- 1/2" AR400 heel plate
- 1/2" Wear bars
- 1/4" Bucket wrap
- Optional side cutting teeth
- Optional bolt on edge
- Available sizes: 72", 78", 81",

- Rolled back
- 1" x 8" cutting edge
- 1/2" wear bars
- Optional bolt on edge
- Optional teeth
- Optional side cutting edge

### X-treme Track Loader Bucket Specs



### Industrial Track Loader Bucket Specs

