



## X-TREME SNOW PUSHER

Our X-treme Snow Pusher allows you to clear a parking lot quicker than a snow plow. The snow pusher edge is 1-1/2" thick x 8" wide, adjustable, reversible and replaceable rubber so you won't tear up the pavement. The mold board is 1/4" and the sides are 3/8" thick for extra support.

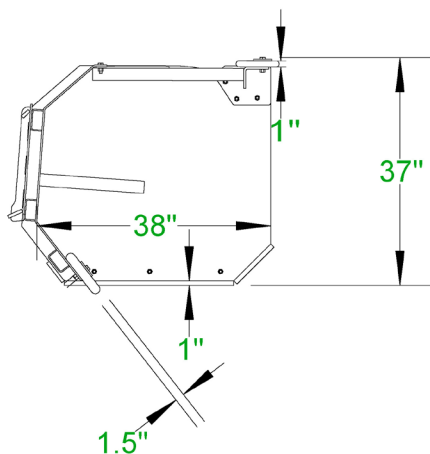
- 1-1/2" x 8" replaceable rubber edge
- 1" AR400 replaceable shoes
- 3/8" thick sides for extra support
- Available sizes: 72", 84", 96", 108", 120", 144"
- Optional pull back
- Bucket lip mount available

## COMPACT TRACTOR SNOW PUSHER

Our Compact Tractor Snow pusher is a smaller version of our full size pusher, allowing you to get to areas a large machine could not reach. The low profile design offers greater visibility for small tractors and mini skid steers. Offered with a rubber or steel edge.

- 1-1/2" x 8" replaceable rubber edge
- 1/2" AR400 replaceable shoes
- 5/16" sides
- Optional pull back
- Available sizes: 48", 60", 72", 84"

**X-treme Snow Pusher Specs**



**Compact Tractor Snow Pusher Specs**

