



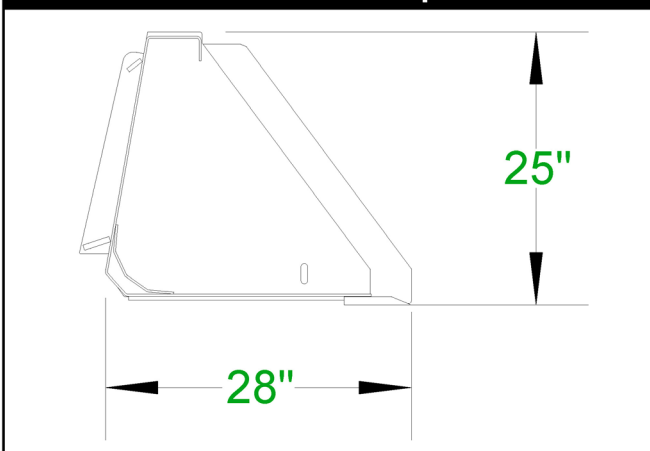
TRACTOR BUCKETS & COMPACT TRACTOR BUCKETS

Our tractor buckets are designed with higher backs to prevent material from spilling over. They feature 3/16" steel sides and a 3/4" x 6" cutting edge. These buckets also come with holes in the sides for mounting a tooth bar and will hookup using universal Skid Steer and many tractor styles quick attach.

Tractor Buckets 45 HP to 65 HP

- Higher back to prevent spillage
- Available sizes: 63", 66", 72", 78", 81", 84"
- Universal Skid Steer and many tractor styles quick attach
- Features 3/16" Steel Sides and a 3/4" x 6" Cutting Edge

Tractor Bucket Specs



Compact Tractor Buckets 45 HP and under

- Higher back to prevent spillage
- Available sizes: 48", 60", 63", 66", 72"
- Universal Skid Steer and many tractor styles quick attach
- Features 3/16" Steel Sides and a 1/2" x 4"